

TALA



Product Name: TALA

Product Code: TALA-67291

Environment: Indoor

Usage Area: Office, Hotel, Store etc.

Category: Spot Lighting

Mounting Type: Recessed

- **OSA Lighting Techniques** offers indoor and indoor lighting applications with different solutions in color and size in local production.
- Easy installation and low maintenance, Tala will be your light source for years.

TALA



Housing: Die Cast Aluminum

Light Source: Led/Lamp

Operating Temperature: -20 to 40

Color: Electrostatic RAL

Distribution: Direct/Indirect

Warranty: 2 years

Diffuser: Glass or Acrylic

Driver: Electronic

Product Type:

- 1

Dimensions (mm):

- Diameter: 99 mm
- Heigh: 76,5 mm

Watt (W):

- 8 W

Input Volt:

- 180-240V

Lumen/watt :125lm/W

- 800lm

TALA



Beam Angle: 45°

Color Temperature:

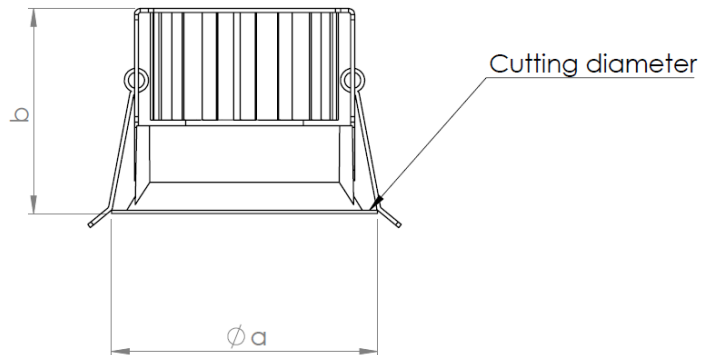
- 2700-6500Kl

CRI:

- >80CRI

IP Rating: IP40

Led Warranty: 5 Year



Diameter \varnothing (a)	99 mm
Depth (b)	76,5 mm
Cutting Diameter (c)	90 mm