

PAVILION



Product Name: Pavilion

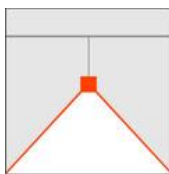
Product Code: PAVILION-67278

Environment: Indoor

Usage Area: Office, Hotel, Store etc.

Category: Panel Lighting

Mounting Type: Pendant



• **OSA Lighting Techniques** offers indoor and outdoor lighting applications with different solutions in color and size in local production.

• Easy installation and low maintenance, Pavilion will be your light source for years.

• Pavilion has modern, creative design with wide range of applications

PAVILION



Housing: Die Cast Aluminum

Light Source: Led/Lamp

Operating Temperature: -20 to 40

Color: Electrostatic RAL

Distribution: Direct

Warranty: 2 years

Diffuser: Glass or Acrylic

Driver: Electronic

Product Type:

- 1

Dimensions (mm):

- Ø300-900mm
- Height: 100-250mm

Watt (W):

- 30-50

Input Volt:

- 180-240V

Lumen/watt :125lm/W

- 3375-5625 lm

PAVILION



Beam Angle: 80°

Color Temperature:

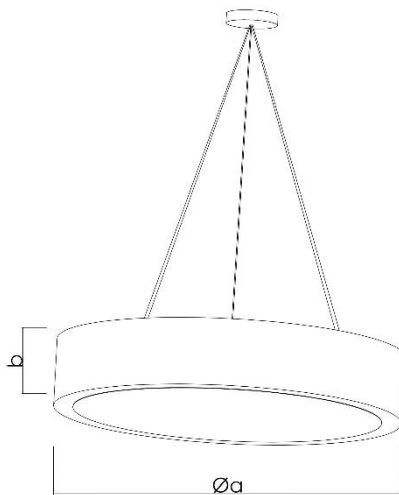
- 2700-6500Kl

CRI:

- >80CRI

IP Rating: IP20

Led Warranty: 5 Year



Diameter Ø (a)	400-600 mm
Height (b)	135 mm